



DUX XCLUSIVE TWIN



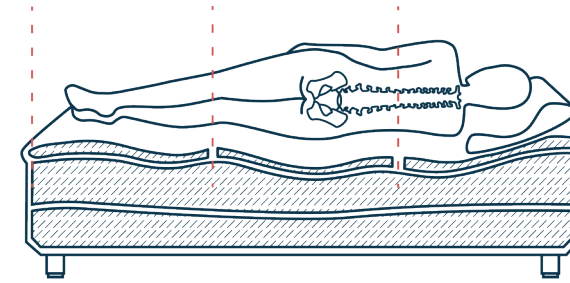
ASSEMBLY INSTRUCTIONS

DUX, DUXIANA and DUX Pascal-systems are registered
trademark owed by Dux Design AB 2013.
Printed 2021.02.01

dux.com

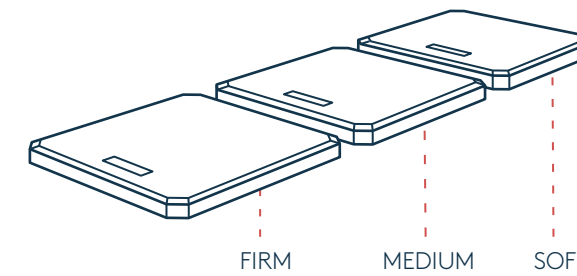


DUX PASCAL-SYSTEM



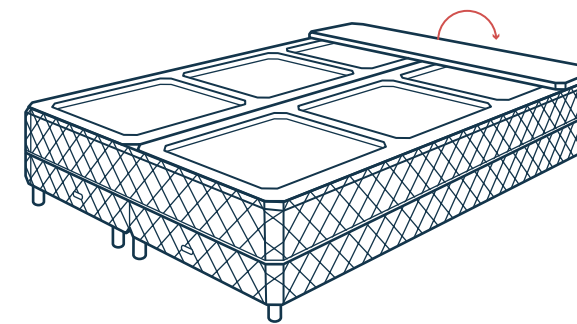
The Pascal System consists of six interchangeable spring cassettes of varying densities and tension. Designed to provide three support zones – shoulders, hips, legs – each cassette is selected to match your body size and weight for individually customized comfort.

CONFIGURE PASCAL-SYSTEM

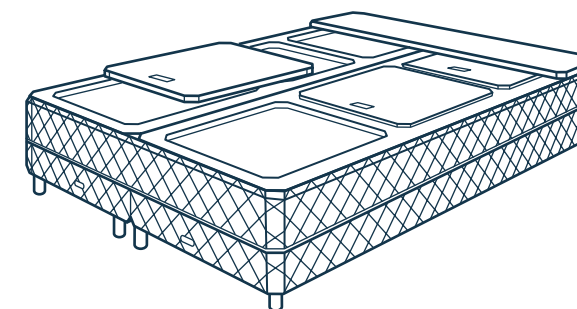


Common configuration is as follows:
SOFT – at the head, allowing your shoulders to sink into the bed.
MEDIUM – in the middle, allowing hips to sink down in the bed.
FIRM – at the foot, allowing some elevation for your legs and feet.

ASSEMBLING



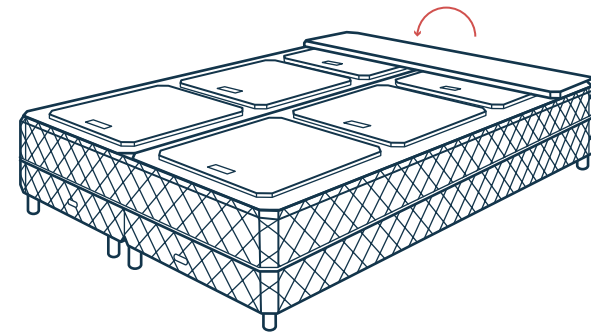
I. OPEN THE BED
Open the bed and fold the top over.



II. ARRANGE THE CASSETTES
Arrange the cassettes according to your preference.

III. FOLD THE TOP BACK OVER

Fold the top back over and zip the bed closed.



IV. ADJUST THE LUMBAR SUPPORT

To adjust the lumbar support, use the included crank. To increase the firmness, turn the crank clockwise.



FIRM SOFT

